

BLACK OLIVE REPLICA



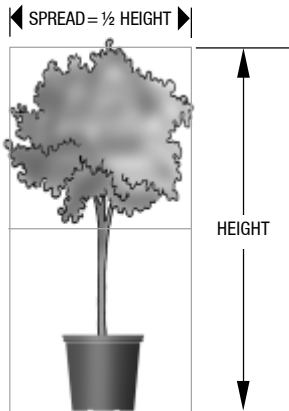
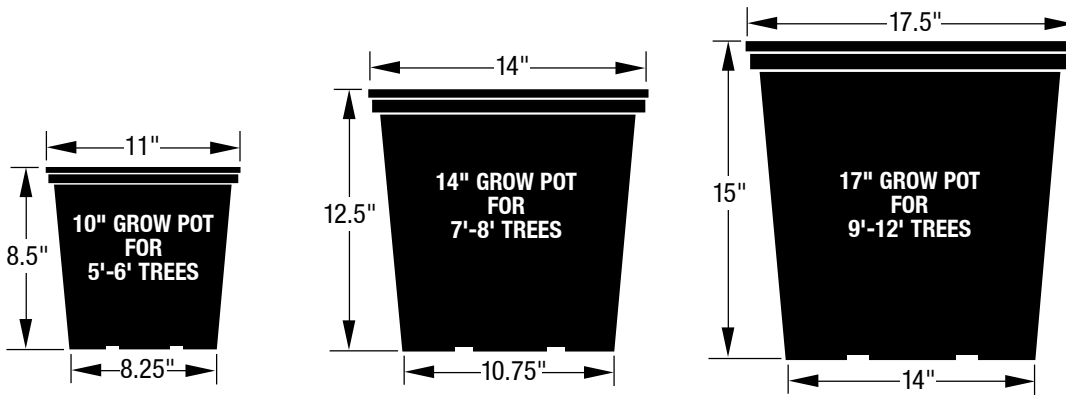
BLACK OLIVE REPLICA

PRODUCT #	HEIGHT	SPREAD	GROW POT SIZE	# TRUNKS	APPX. WEIGHT	IFR AVAILABLE**
91-328708	8'	Varies	14"	1	25 LBS	NO
91-328712	10'-12'	Varies	17"	1	50 LBS	NO

Call for a custom quote on Black Olive trees over 12 ft. Available from 8'-20' tall.

**Silk foliages which do not come with an IFR (Inherent Fire Retardant) option can be dipped in a fire retardant chemical. Our dipped fire retardant application will meet the NFPA 701 fire retardancy standards. Performing this process on the silk foliage adds an additional 30% to the cost of the tree.

GROW POT SIZES



Tree Height is measured from the floor to the top of the tree.
Overall spread is generally one-half the height.



Optional steel base plates available for all trees at an additional cost. Call for details.

DESCRIPTION:

These top-of-the-line trees are manufactured on real Black Olive trunks purchased from tree farms in Florida. After a unique and lengthy production process, these distinctive trees with their airy open branching and foliage are ready to add prestige and quality to any location. Available in sizes 8'-20'.