

SIGNATURE SERIES *Specialty Trees*



Bonsai Ficus



Jasmine



Ming Aralia



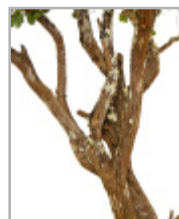
Podocarpus



Ruscus



Grapewood Trunk



Dragonwood Trunk

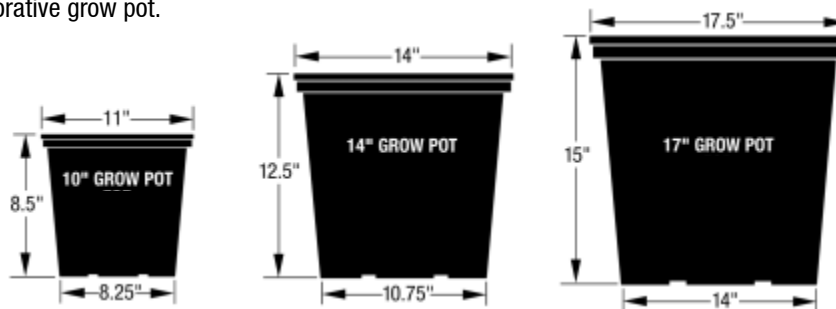
SIGNATURE SERIES *Specialty Trees*

PRODUCT #	HEIGHT	SPREAD	GROW POT SIZE	# STEMS	APPX. WEIGHT	IFR AVAILABLE**
30-0011(24) Ruscus Grapewood	24"	Varies due to the custom nature of these trees.	10"	Varies	Varies	YES
30-0021(24) Ruscus Dragonwood	24"		10"			
30-0011(48) Ruscus Grapewood	48"		14"			
30-0021(48) Ruscus Dragonwood	48"		14"			
30-0011(72) Ruscus Grapewood	72"		17"			
30-0021(72) Ruscus Dragonwood	72"		17"			
30-0021(96) Ruscus Dragonwood	96"		17"			
30-0031(24) Podocarpus Grapewood	24"		10"			
30-0041(24) Podocarpus Dragonwood	24"		10"			
30-0031(48) Podocarpus Grapewood	48"		14"			
30-0041(48) Podocarpus Dragonwood	48"		14"			
30-0031(72) Podocarpus Grapewood	72"		17"			
30-0041(72) Podocarpus Dragonwood	72"		17"			
30-0041(96) Podocarpus Dragonwood	96"		17"			
30-0051(24) Ming Aralia Grapewood	24"		10"			
30-0061(24) Ming Aralia Dragonwood	24"		10"			
30-0051(48) Ming Aralia Grapewood	48"		14"			
30-0061(48) Ming Aralia Dragonwood	48"		14"			
30-0051(72) Ming Aralia Grapewood	72"		17"			
30-0061(72) Ming Aralia Dragonwood	72"		17"			
30-0061(96) Ming Aralia Dragonwood	96"	17"				
30-0071(24) Jasmine Grapewood	24"	10"				
30-0081(24) Jasmine Dragonwood	24"	10"				
30-0071(48) Jasmine Grapewood	48"	14"				
30-0081(48) Jasmine Dragonwood	48"	14"				
30-0071(72) Jasmine Grapewood	72"	17"				
30-0081(72) Jasmine Dragonwood	72"	17"				
30-0081(96) Jasmine Dragonwood	96"	17"				
30-0091(24) Bonsai Ficus Grapewood	24"	10"				
30-0101(24) Bonsai Ficus Dragonwood	24"	10"				
30-0091(48) Bonsai Ficus Grapewood	48"	14"				
30-0101(48) Bonsai Ficus Dragonwood	48"	14"				
30-0091(72) Bonsai Ficus Grapewood	72"	17"				
30-0101(72) Bonsai Ficus Dragonwood	72"	17"				
30-0101(96) Bonsai Ficus Dragonwood	96"	17"				

Call for a quote on additional custom configurations for larger grow pots or alternate potting methods.

CUSTOM BASE OPTION: Made in custom bonsai container. Includes custom wood base with preserved moss and gravel—add 25% to price.

STANDARD BASE: Non-decorative grow pot.



DESCRIPTION:

Mall Silks Signature Series is a new line of plants, trees, and Bonsai forms have been added to our product line. The manufacturing of this line involves using superior foliage materials, trunks, and added detail to craftsmanship. Each of these trees is custom made specifically by one of our on staff professional artists. Extra time and effort goes into making these trees a one of a kind product. They are labeled by the artist and if you decide to have one made and like what you see, you can even request to have the same artist make the next one for you. These items range in price and are available in many custom sizes from 24" – 8' (taller sizes available upon request). There are several foliage options available – Ruscus, Podocarpus, Ming Aralia, Jasmine and Bonsai Ficus (other foliages can be used upon request). The available trunk choices are Dragonwood and Grapewood. If you have a specific container that you would like to put it in, let us know and we can build the plant directly into the container of your choice. You will have to ship the container to us or you can have your supplier drop ship it to us. We look forward to creating your next work of art.

MAINTENANCE RECOMMENDATIONS:

Clean every 6-12 months with a professional grade silk plant cleaner to remove dust buildup. Spray and allow to drip dry while plant is in place, or remove and clean with silk plant cleaner or mild soap and water solution. Rinse with water.